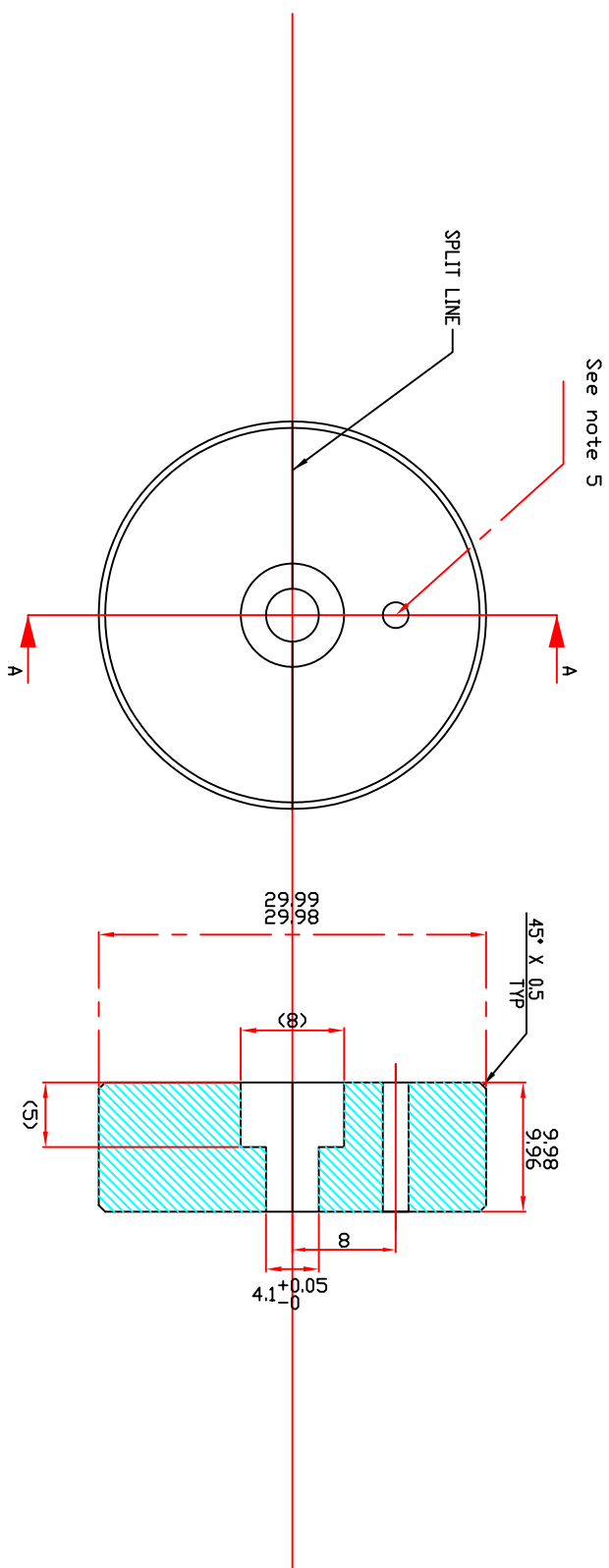


- Notes:
- 1) Clean and degrease
 - 2) Remove all burrs
 - 3) Tolerances unless stated
Linear $\pm 0.1\text{mm}$, angular 0.25°
 - 4) Surface texture: $\sqrt{16}$
 - 5) 2mm \varnothing Hole for pumping vacuum



THIRD ANGLE PROJECTION DRAWING PREPARED IN ACCORDANCE TO BS308	GENERAL SURFACE FINISH: μm CLA R _a UNLESS OTHERWISE STATED	HEAT & SURFACE TREATMENT	DIMENSIONS: mm
MATERIAL: Free Cutting Non-Magnetic Stainless Steel		HEAT & SURFACE TREATMENT	DIMENSIONS: mm
- 316		DLC	
ALL PROPRIETARY RIGHTS IN THE SUBJECT MATTER HEREOF ARE RESERVED BY SHEFFIELD UNIVERSITY AND NO PERMISSION IS GRANTED TO REPRODUCE THIS PRINT, IN WHOLE OR IN PART, OR TO DISCLOSE ANY OF THE INFORMATION UPON IT TO OTHERS.			
TITLE		MICE TARGET- UPPER BEARING	

ISSUE	DATE	NOTES	CHK	APP.
	3/10/07	Initial Issue	MM	RN
UNIVERSITY OF SHEFFIELD DEPARTMENT OF PHYSICS & ASTRONOMY SHEFFIELD S3 7RH Tel: 0114-2223547				
SCALE: 5 : 1		DATE: 3/10/07		
DRAWN: M. MOHAMMAD				
RAL REF: TD-1116-011				
DRAWING NUMBER: TD-SU-02				
				A4